

- Checklists
- Guides
- Videos

DVD's
and
Planners

So That's

How You Do That!

easy flooring installation methods for the **DIY**

My Project Planner Tile Edition

- ✓ Checklists for Materials, tools and supplies
- ✓ Measuring Guide
- ✓ Waste Calculations Sheet
- ✓ Tools List / what you need and where to get them
- ✓ Transitions Guide
- ✓ Floor Prep Guide

sothatshowyoudothat.com

Table of Contents

Introduction to My Project Planner- Tile edition _____	3
My Flooring Budget _____	5
My Flooring Budget/Allocation Sheet _____	8
My Samples List _____	12
Materials List _____	13
Supplies List _____	15
Tools List _____	17
How To Measure Guide _____	19
Fractions to Decimal Chart _____	22
Waste Calculation Sheet _____	23
Transitions Guide _____	24
Floor Prep Guide _____	29

My Project Planner- Tile Edition

Thank you so much for giving me the chance to be a part of your project. Your trust in me to help guide you through your project means so much to me.

My hope for you is to have success with your project and that is why I made this planner.

One day I was in my office editing some of the videos that I made and a thought occurred to me, "I need to make a planner that will outline everything that a DIY'er would need."

There are just so many things that go into a project, it can be overwhelming. I have been installing flooring for over twenty years and I forget things all the time.

I also thought that I could save people a lot of money, if I shared with them the tools and supplies that I use.

I say this because as you know, there are a lot of bad products out there! The packages they come in are bright and shiny, but they can be GARBAGE. I have used many of these products. Trust me; I've thrown away my fair share of them too.

Most of the products in this planner are very affordable. As a matter of fact a lot of them are cheaper than what you will find at the home improvement stores(which I refer to as "Box" stores). Of course the quality is by far better.

All of the tools, materials and supplies that are listed in this planner are what I use. I am not going to put my name on anything that I do not use myself.

There are a few tools in here that are expensive, such as the tile cutter(\$300) and the tile saw(\$500). I show these particular items to you because it is what I use. I believe if you are going to buy these types of tools, than this is what I highly recommend.

You can rent these tools that are more expensive

Check out my website for information on other tools that are more budget friendly. I do want you to weigh your situation out though. If your project is large or if you have more than one project to do, than buying these tools can be justified. **Most showers alone, I charge \$1500+ for a tile installation. It's your choice.**

Sothatshowyoudothat.com

I do want to be up front with you. Some of the tools and supplies in this planner, I do earn a commission on. This is not why I recommend them!

If you want to just take the recommendations and purchase them somewhere else, that's okay.

Please enjoy this Planner and contact me with any of your questions.

Joe@sothatshowyoudothat.com

This section is the boring legal stuff

©2012 FloorMechanics, LLC. All Rights Reserved

Make as many copies as YOU need

but

Please Do Not Reproduce this Planner for others - Thank You- Joe Letendre

Sothatshowyoudothat.com

My Flooring Budget

Project Name - _____

Project Budget - _____

Materials-

Tile _____

Cement board _____

Grout _____

Thin set _____

Transitions _____

Supplies-

Paintable waterproof membrane _____

Grout sealer _____

Joint tape _____

2x4's _____

Screws _____

Sand mix _____

Sponge's _____

5 gallon buckets _____

Measuring bucket _____

Spacer's _____

Wedges _____

Painters tape _____

- Carpenters pencils _____
- Sharpies _____
- Chalk _____
- 4" scraper blades _____
- Utility blades _____
- Screw tips for drill _____
- Wax ring _____
- Toilet bolts _____

Tools-

- Trowels _____
- Rubber gloves _____
- Tape Measure _____
- Hammer _____
- Level _____
- Chalk line _____
- Tile nipper _____
- Utility knife _____
- Paint brush/roller _____
- Grout float _____
- Caulking gun _____
- Extension cord _____
- Speed square _____
- T-square _____
- L- square _____
- Broom _____

Vacuum	_____
4" hand scraper	_____
6" taping knife	_____
Mixing paddle	_____
Grout removal tool	_____

Rental Tools-

Angle grinder	_____
4" diamond blade	_____
Drill	_____
Laser	_____
Tile cutter	_____
Cutting wheels	_____
Wet saw	_____
Jamb saw	_____
Jig saw	_____

Miscellaneous-

_____	_____
_____	_____
_____	_____
_____	_____
_____	_____
_____	_____
_____	_____

My Flooring Budget

Allocated Spending Sheet

This page is an example page to show you how to use the budget form below

Project Name- Bathroom

Project Budget - \$2300.00

Materials-

Tile 350/ 1950

Cement board 100/ 1850

Grout 45 / 1805

Thin set 65/ 1740

Put the amount that you are spending on the item on the left of the slash and then put the remaining total budget on the right of the slash. Work your way down the sheet.

You might not need everything that is written on this sheet.

If your budget is tight, some things may have to be eliminated and considered a luxury. Or you will need to raise your budget and get these items over time.

The purpose of this sheet is so you don't go into your project blind. I want you to know exactly how much is needed to complete your project.

You can do it! If you have any more questions on budgeting, go to daveramsey.com and see my friends over there. He is the Professor of Financial Peace!

My Flooring Budget

Allocated Spending Sheet

Project Name - _____

Project Budget - _____

Materials-

- Tile _____/_____
- Cement board _____/_____
- Grout _____/_____
- Thin set _____/_____
- Transitions _____/_____

Supplies-

- Paintable waterproof membrane _____/_____
- Grout sealer _____/_____
- Joint tape _____/_____
- 2x4's _____/_____
- Screws _____/_____
- Sand mix _____/_____
- Sponge's _____/_____
- 5 gallon buckets _____/_____
- Measuring bucket _____/_____
- Spacer's _____/_____

- Wedges _____/_____
- Painters tape _____/_____
- Carpenters pencils _____/_____
- Sharpies _____/_____
- Chalk _____/_____
- 4" scraper blades _____/_____
- Utility blades _____/_____
- Screw tips for drill _____/_____
- Wax ring _____/_____
- Toilet bolts _____/_____

Tools-

- Trowels _____/_____
- Rubber gloves _____/_____
- Tape Measure _____/_____
- Hammer _____/_____
- Level _____/_____
- Chalk line _____/_____
- Tile nipper _____/_____
- Utility knife _____/_____
- Paint brush/roller _____/_____
- Grout float _____/_____
- Caulking gun _____/_____
- Extension cord _____/_____
- Speed square _____/_____
- T-square _____/_____

L- square	____/____
Broom	____/____
Vacuum	____/____
4" hand scraper	____/____
6" taping knife	____/____
Mixing paddle	____/____
Grout removal tool	____/____

Rental Tools-

Angle grinder	____/____
4" diamond blade	____/____
Drill	____/____
Laser	____/____
Tile cutter	____/____
Cutting wheels	____/____
Wet saw	____/____
Jamb saw	____/____
Jig saw	____/____

Miscellaneous-

_____	____/____
_____	____/____
_____	____/____
_____	____/____
_____	____/____
_____	____/____
_____	____/____

Materials

Tile Needed-

- Tile size _____ style _____ Color _____
Bullnose _____ Sq. Ft. needed _____ Room to be installed _____

Notes-

- Tile size _____ style _____ Color _____
Bullnose _____ Sq. Ft. needed _____ Room to be installed _____

Notes-

- Tile size _____ style _____ Color _____
Bullnose _____ Sq. Ft. needed _____ Room to be installed _____

Notes-

- Specialty Pieces - Style _____ Pieces Needed _____ Room to be Installed _____
- Specialty Pieces - Style _____ Pieces Needed _____ Room to be Installed _____

NOTE - remember that 5% needs to be added to square footage and 10% for patterns. For any specialty pieces like bullnose, I always get a few more than I need. (See measuring chart and Waste Calculation Chart for more info on this) Home Depot, Menards and Lowes will let you return what is not used, if it's not a special order item and it's in stock.

Cement Board -

[Floors and Walls -](#) 1/2 thickness _____ sheets needed

[Floors only -](#) _____ 1/4 thickness _____ sheets needed

NOTE- 3X5 sheets are the most common size and are easy to work with.

Grout-

[Sanded Grout](#) – use with joints 1/8 inch or larger.

[Un-sanded Grout](#) – use with joints less than 1/8.

Sanded _____ Un-sanded _____ Color _____ Bags _____ Caulk- tubes needed _____

Sanded _____ Un-sanded _____ Color _____ Bags _____ Caulk- tubes needed _____

Sanded _____ Un-sanded _____ Color _____ Bags _____ Caulk- tubes needed _____

NOTE- Do not use sanded grout on Glass Tile without testing it first. It can scratch the surface.

White is used with Natural Stone ---

Gray is used with Ceramic and Porcelain

[White - Bags needed](#) _____

[Non-Sag for walls](#) - Bags needed _____

[Gray - Bags needed](#) _____

[Mastic \(Tile Glue\)](#) - Gallons needed _____

NEVER USE MASTIC ON THE FLOOR!

Transitions-

Tile meets-

[Carpet](#) _____ Feet needed

[Tile](#) _____ Feet needed(*it can just be tile to tile with no transition*)

[Vinyl](#) _____ Feet needed

[Laminate](#) _____ Feet needed

[Wood](#) _____ Feet needed

[Zero/Nothing](#) _____ Feet needed

[Stairs](#) _____ Feet needed

NOTE- If you're not sure what to use check out my [\(Transitions sheet\)](#) on pages 14-18 also on my website: sothatshowyoudothat.com or my blog. You can also contact me on my website or email me at- joe@sothatshowyoudothat.com

Supplies needed-

- [Paintable waterproof membrane](#)(a must have in the shower) _____ gallons
- [grout sealer](#) _____ cans/bottles
- [joint tape](#) _____ rolls
- 2x4's _____
- [Screws](#) _____ boxes/lbs. (1 1/4 cement board screws are plenty long.)
- [Sand mix](#) _____ bags (this is for the shower pan)**GO TO A TILE STORE FOR THIS!**
- [Sponges](#) _____ (recommend 4)
- [5 gallon buckets](#) _____ (recommend 4)
- Measuring bucket _____ (should show quarts)
- [SPACERS-](#) (I use 2 spacers per square foot -(example ; 50 sq. ft. x 2=100 spacers))
1/16 _____ bags 1/8 _____ bags 3/16 _____ bags 1/4 _____ bags

SEE NOTE BELOW

- [Wedges](#) _____ bags/jars(100 pieces should be enough)
- [Painters tape](#) _____ rolls
- [Carpenters pencils](#) _____
- [Sharpies\(black\)Fine tip](#) _____
- [Chalk](#) _____ bottles (black is best)
- [4" scraper blades](#) _____
- [Utility blades](#) _____
- [Screw tips for drill](#) _____
- [Wax ring\(if removing toilet\)](#) _____
- Toilet bolts _____

NOTE- I use a 3/16 or 1/4 grout joint on most tile, however, it's your decision. Tile that is 2x2 and smaller is usually 1/8 grout joint. I talk about this in my videos. You can find those on my website: sothatshowyoudothat.com Also check out my blog for more on this subject.

- I recommend spacers to be used only on walls (Barwalt horseshoe spacers work best and can be bought online at contractorsdirect.com)

- I WOULD NEVER USE SPACERS ON THE FLOOR! (tile is always different sizes and spacers will cause the tile to go out of alignment.

I will show you how to use a grid system in my videos check out my blog post [How to Layout Floor Tile the Easy Way](#)

Tools needed- **NOTE** all items highlighted in light gray can be rented.

- [Trowels-](#) [\(look at chart on thin set bag to determine the size of your trowel notch\)](#)

[1/4x1/4x1/4](#) _____ square notch [3/16x3/16x3/16](#) _____ square notch

[1/4x3/8x1/4](#) _____ square notch [1/2x1/2x1/2](#) _____ square notch

Note- the smallest trowel I use is a 3/16x3/16x3/16 square notch. I also use this when it says to use a V notch. It leaves a little more thin set/adhesive

- [Rubber gloves](#) _____
- [Tape Measure](#) _____ (25 ft.)
- [Hammer](#) _____
- [Level](#) _____ (at least 4ft.)
- [Chalk line](#) _____
- [Tile nipper](#) _____
- [Utility knife](#) _____
- Paint brush/roller 3/8 nap _____ (if using paintable membrane)
- [Grout float](#) _____
- [Caulking gun](#) _____
- [Extension cord](#) _____
- [Speed square](#) _____
- [T-square](#) _____
- [L- square](#) _____
- [Broom](#) _____
- [Vacuum](#) _____
- [4" hand scraper](#) _____
- [6" taping knife](#) _____
- [Angle grinder](#) _____
- [4" diamond blade](#) _____ (for angle grinder)
- [Drill](#) _____
- [Mixing paddle](#) _____
- [Laser](#) _____ (possible rental item if not a level will do)
- [Tile cutter](#) _____
- [Cutting wheels](#) _____ (for tile cutter)
- [Wet saw](#) _____ (can take the place of tile cutter)
- [Jamb saw](#) _____
- [Jig saw](#) _____ (for cutting cement board/optional)
- [Grout removal tool](#) _____

Sothatshowyoudothat.com

You will get better quality tools at a cheaper price when you shop on line. You have to wait a few days but you can plan it out. You can also shop at some of the specialty stores in your city. Look in the yellow pages under "Tile Supplies" and you should find plenty to choose from .The websites that I use the most are:

Contractorsdirect.com

Tools4flooring.com

Shagtools.com

Home Depot, Lowes and Menards have tools and supplies for your tile installation. They are located in the Tile section of the store. Over the years I have found what I like to use and that's what I'm going to pass on to you for my recommendations.

Check out the links that I have provided for you. Just click on a tool, supply or transition in this Planner and you will see what I use. These are what I use and it's totally up to you what you use. You can Email me with any questions, I will help with whatever I can!

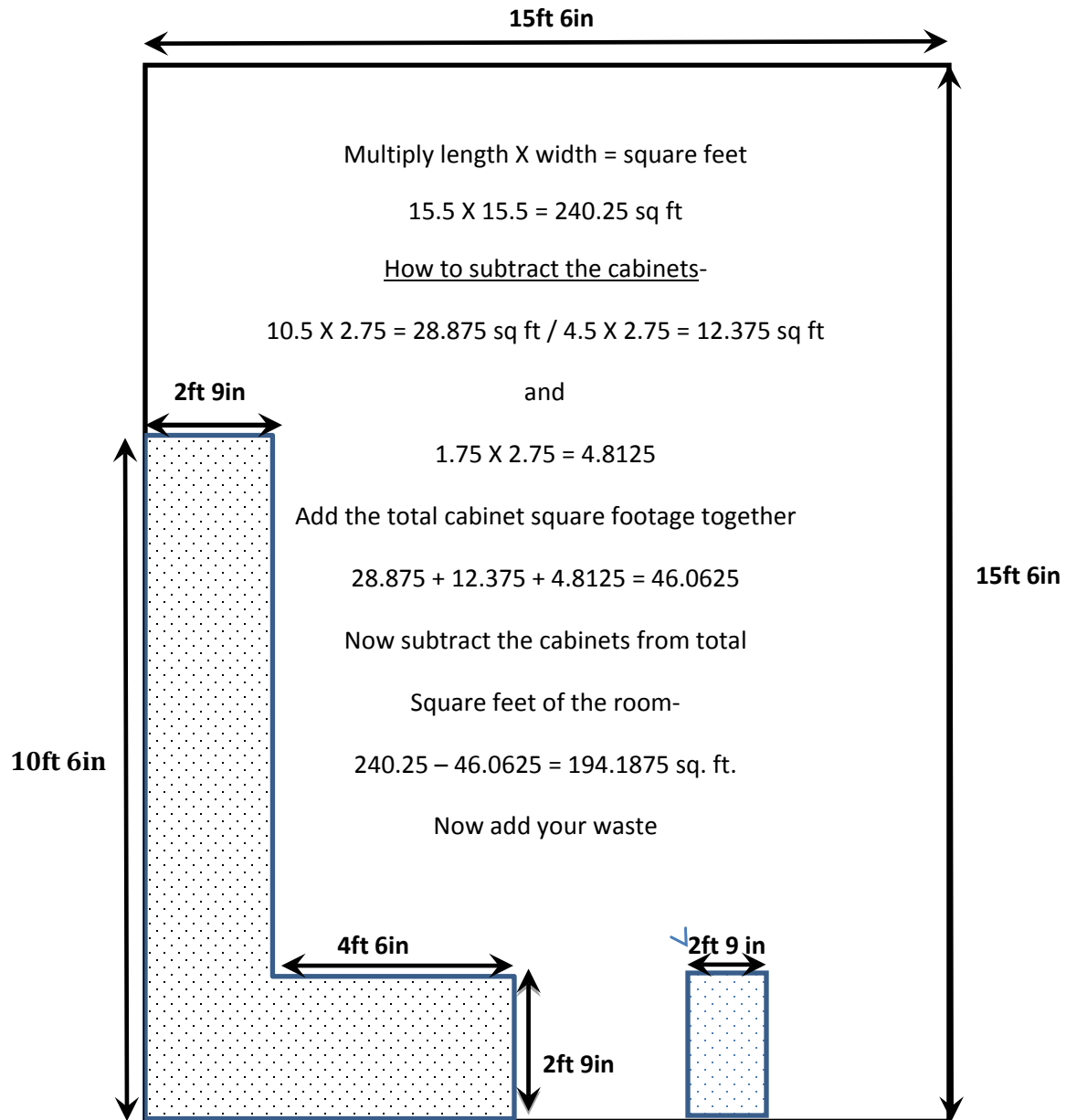
Thanks,

Joe Letendre

Email- joe@sothatshowyoudothat.com

Sothatshowyoudothat.com

How to Measure Sheet



When measuring cabinets I break them up into sections. (As seen in the above sample)

Try to use numbers that are easy to multiply. See the next page and I'll show you what I mean.

When subtracting cabinets I round down to the nearest 1/4 of a foot

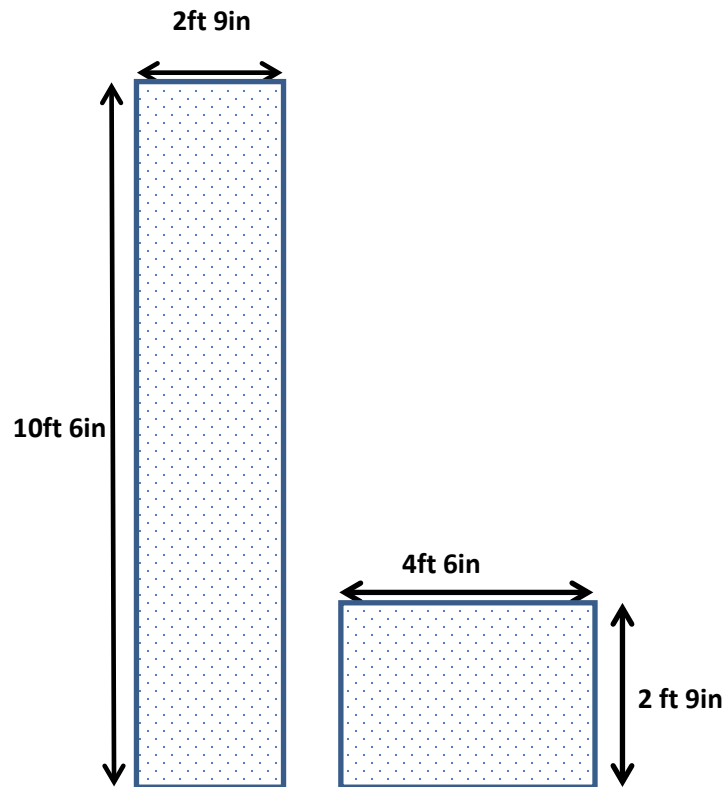
- I. 3 inches = .25
- II. 6 inches = .50
- III. 9 inches = .75
- IV. 12 inches = 1



Using these numbers
helps simplify the
math

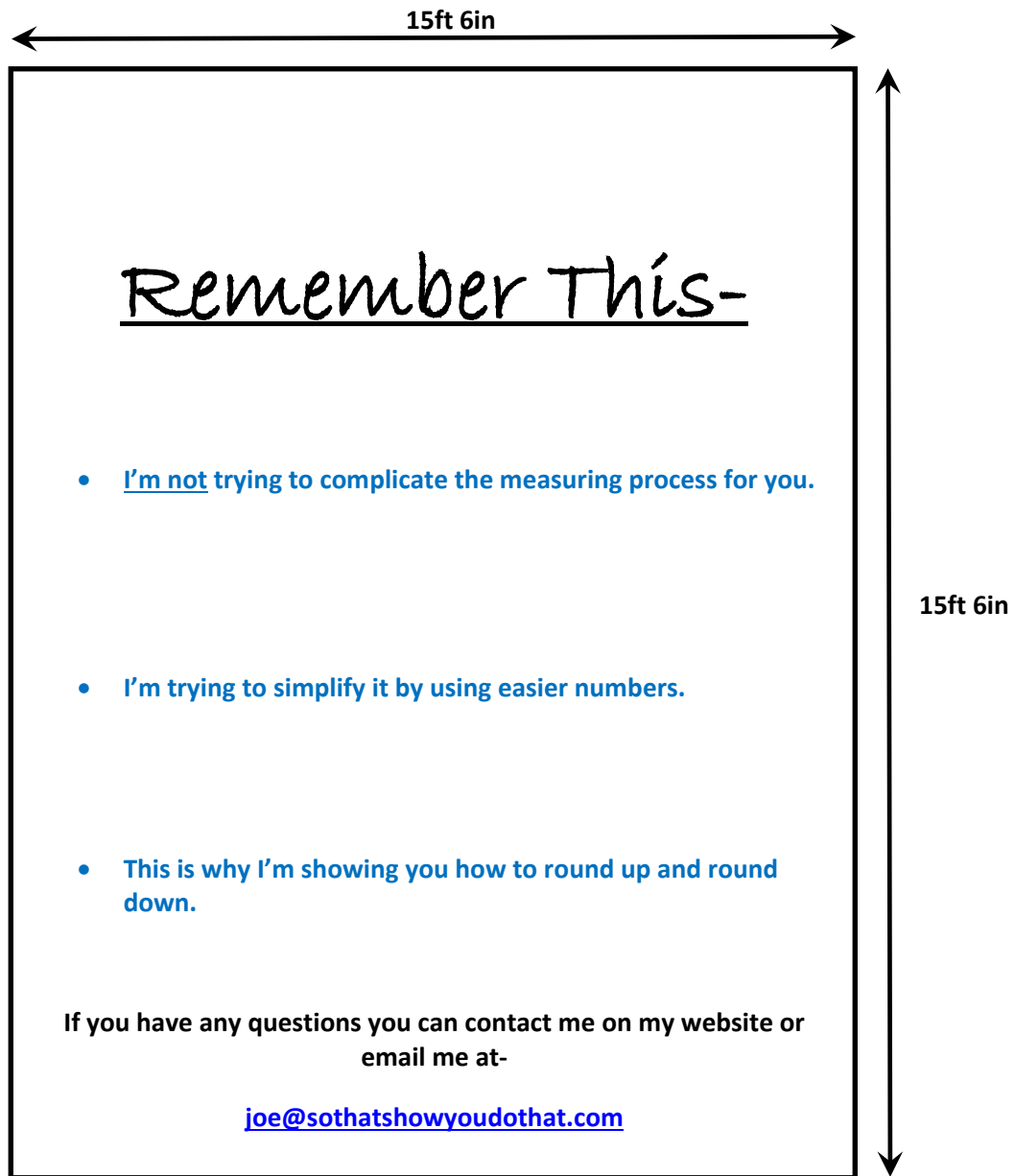
1. Rounding Down

- a) My cabinet is 2ft 10in wide and 10ft 7in long and by rounding down to 2ft 9in wide and 10ft 6in long I'm subtracting less flooring. This is a good thing!
- b) If I rounded up I would subtract too much flooring and the result would be not enough flooring!



2. **Rounding Up**

- a) My room is actually 15ft 4in wide X 15ft 5in long and by rounding up to 15ft 6in X 15ft 6in I'm adding more flooring.
- b) If I rounded down I would not have enough flooring and the result would be not enough flooring!



Use this chart when you need to convert fractions to decimals

1/32	.03125	17/32	.53125
1/16	.0625	9/16	.5625
3/32	.09375	19/32	.59375
1/8	.125	5/8	.625
5/32	.15625	21/32	.65625
3/16	.1875	11/16	.6875
7/32	.21875	23/32	.71875
1/4	.25	3/4	.75
9/32	.28125	25/32	.78125
5/16	.3125	13/16	.8125
11/32	.34375	27/32	.84375
3/8	.375	7/8	.875
13/32	.40625	29/32	.90625
7/16	.4375	15/16	.9375
15/32	.46875	31/32	.96875
1/2	.5	1	1

Fractions to Decimal Chart

Waste Calculation Sheet

← 10 feet →

20 feet ↓

Square Feet and Yards

Length X Width = Square Feet

Divide by 9 = Yards

Example;

10 X 20 = 200 square feet

Then

200 ÷ 9 = 22.22 yards

WASTE

200 X 1.05 = 210 square feet

200 X 1.10 = 220 square feet

ALWAYS add 5% waste when using Tile,
Laminate and Wood and 10% when there is a
pattern or installing product on a diagonal.

5% -multiply square feet X 1.05

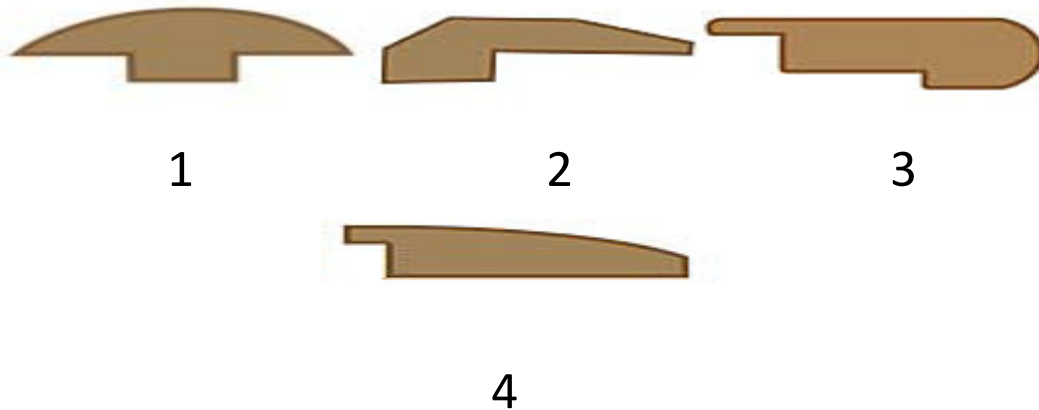
10% -multiply square feet X 1.10

Transitions

- There are several types of transitions to choose from. Below I will guide you through the different types of transitions used for the specific flooring that you are going to purchase.

Laminate and Wood Flooring Transitions-

[\(Click Here\)](#)



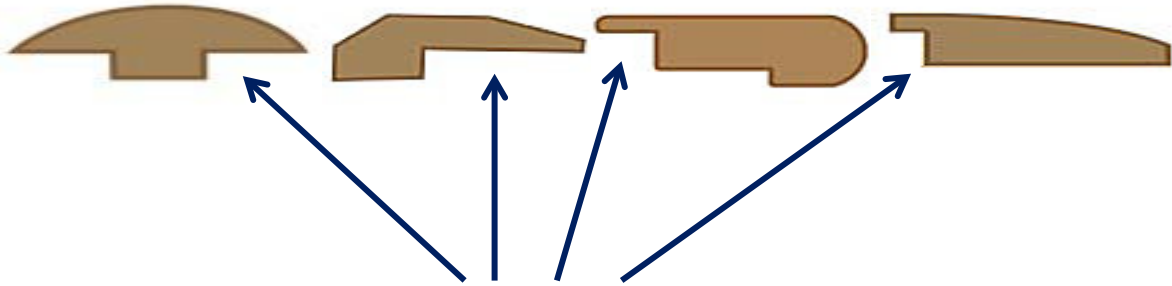
1- This is a T-Molding and it's used where 2 floors meet that are the same heights or very close to the same heights.(never use a T-molding where laminate/wood meets carpet)

2- This is a Square nose and it is used where laminate/wood meets carpet. It can also be used at doorways that have thresholds such as; Patio Doors and Exterior Doors.

3- This is a Stair Nose and it's used along stairways and also on the steps.

4- This is a Reducer and it is used where the laminate/wood meets an area that doesn't have flooring. It can also be used where it meets vinyl/linoleum flooring on concrete or where there is not any underlayment under the vinyl/linoleum.

sothatshowyoudothat.com



- *All 4 of these transitions have a lip that goes over the top of the Laminate/Wood. This type of transition is the easiest to use.
- There are times that you will need to modify these transitions with a saw to make them fit.



These are more difficult to install!

- This stair nose and reducer have a groove to receive a tongue; these are called flush mount transitions. When using these they will be flush with the flooring. This type of transition you will need a table saw, router and tongues to complete the installation.
- Transitions can vary in shape and could look a little different from these examples. Quick Step has a three in one transition that can become a square nose, reducer or a t-molding. It's actually a very slick option.

sothatshowyoudothat.com

Tile Transitions for Floors and Walls

(click above to see all that is available to you)



A

A -

This is a common transition that is used in multiple situations such as; tile to carpet, tile to nothing (such as concrete) and tile to tile on an outside corner of a wall (this would be a wall tile installation)

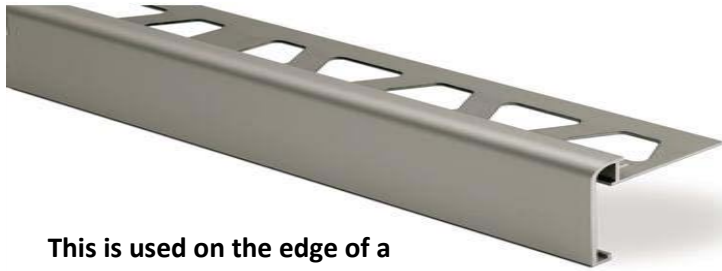


B

B -

This is also a more common transition that can be used in situations such as; tile to carpet, tile to vinyl/linoleum and tile to nothing (such as concrete).

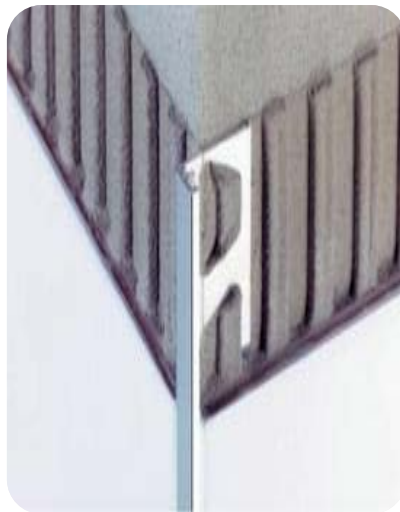
sothatshowyoudothat.com



This is used on the edge of a countertop.



This can be used on countertops, tubs and any outside corner



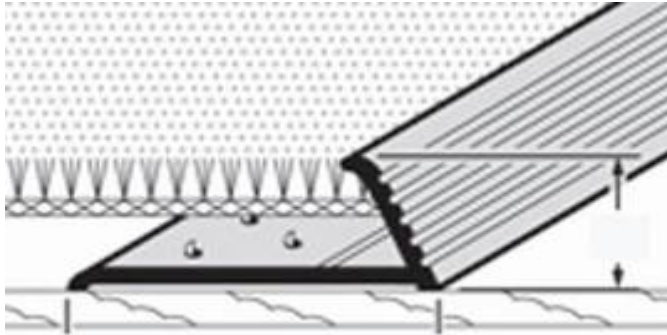
More examples of the more common type of tile transitions like shown earlier

The different types of transitions available are really endless. If you go to Schluter.com you will find whatever fits your needs. There are other brands to choose from, I prefer Schluter. It is really up to you if a transition is even needed.

- When using corner transitions on walls it gives it a different look and eliminates the need of bullnose (tile that has a rounded edge).
- Carpet to tile transitions can be optional because the carpet tucks to the tile. This transition does protect the tile edge and looks sharp but it isn't mandatory to have.

sothatshowyoudothat.com

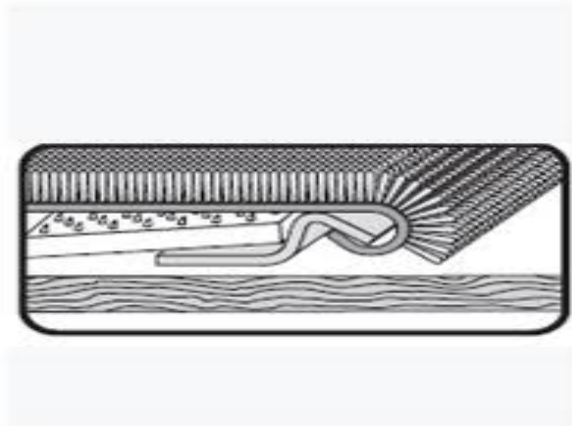
Carpet Transitions



This is a Tap Down Metal that is very common to use in all carpet transition situations. It has pins on the base of it that grab the carpet when stretching.

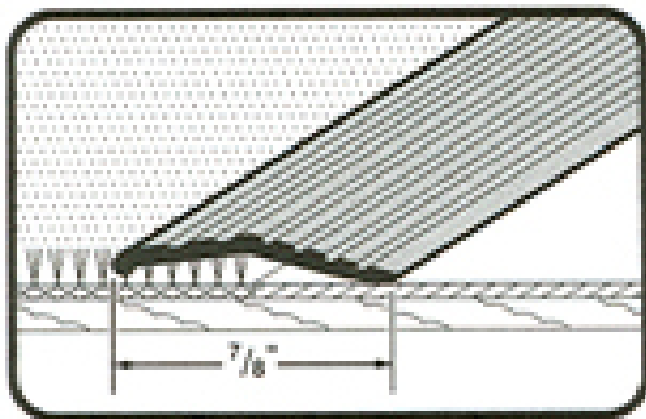
Very easy to work with.

[Click Here](#)



This is a Z Bar which is used when you do not want a metal transition. The carpet folds under and then the edge is tapped down with a hammer to hold the carpet in place. You can see how to use this in my [Living Room, Hall and Stair video](#) which is available on my website. This is more difficult to work with.

[Click Here](#)



This is a Flat Bar metal which can also be used in almost all situations where a carpet transition is needed. This is the easiest of all the transitions to install however it's also the most unattractive.

[Click Here](#)

Floor Prep

Fill in the blanks or check them off as you fulfill them

Materials

- Self-leveler _____ bags ([Levelquik® at Home Depot works well](#))
- [Mesh](#)(wire/plastic) _____ feet (you need to use this on a wood subfloor when using self-leveler)
- [Primer](#) _____ gallons
- Cement based floor patch _____ bags ([I highly recommend Ardex feather finish](#))

*This comes in a 10lb. bag and can be purchased at many floorcovering suppliers. DO NOT accept any imitations of this product it is by far the best. I would not use any other product when installing any type of hard surface floor covering such as Tile, linoleum, vinyl, wood, laminate and etc... The only exception is carpet.

Tools

- [Finishing trowel](#) _____ (I use a 12")
- 6 ' Straight edge/level _____
- Broom _____
- Vacuum _____
- Razor scraper- 4" hand _____ 8" stand up _____
- 6" tapers knife/spat _____
- Hammer _____
- Grinder _____

sothatshowyoudothat.com

Taking on a project at home has never been easier with the help of [So That's How You Do That! - University](#)

Joe Letendre gives you everything you need to know for your Tile project, all in one place!

Combine [My Project Planner™ Tile edition](#) with the [So That's How You Do That! University](#) and you will have everything you need to complete your project with confidence.

Other Products We Offer

[My Project Planner™](#)

Laminate/Wood Flooring Edition

Carpet Edition

(Coming Soon!!)

Everything that you need to plan for is right here in [My Project Planner™](#)-Materials list, supplies list, how to measure guide, transition sheet, floor prep check list, waste calculation guide, stretching guides(carpet only), tools list and where to get them and so much more. We have put many hours into these planners to simplify your project. It will also save you time, money and give you the knowledge that you need for your project.

sothatshowyoudothat.com

So That's How You Do That! - University

Tile -

From demo to install. Check out the user friendly methods that Joe uses.

- Floors
- Walls
- Ceiling

Laminate-

From the starter row to the last piece, Joe will guide you through a Living room, entry and hall. The methods he uses will simplify this installation process. Learn how to measure for cuts without a tape measure.

Carpet-

A living room, hall and steps are where you will learn all you need to know to finish this project.

- Checklists
- Guides
- Videos

DVD's and Planner's

So That's

How You Do That!

easy flooring installation methods for the **DIY**

So That's
How You Do That!
My Project
Laminate Edition
Flooring
sothatshowyoudothat.com

We cover it all in one place!